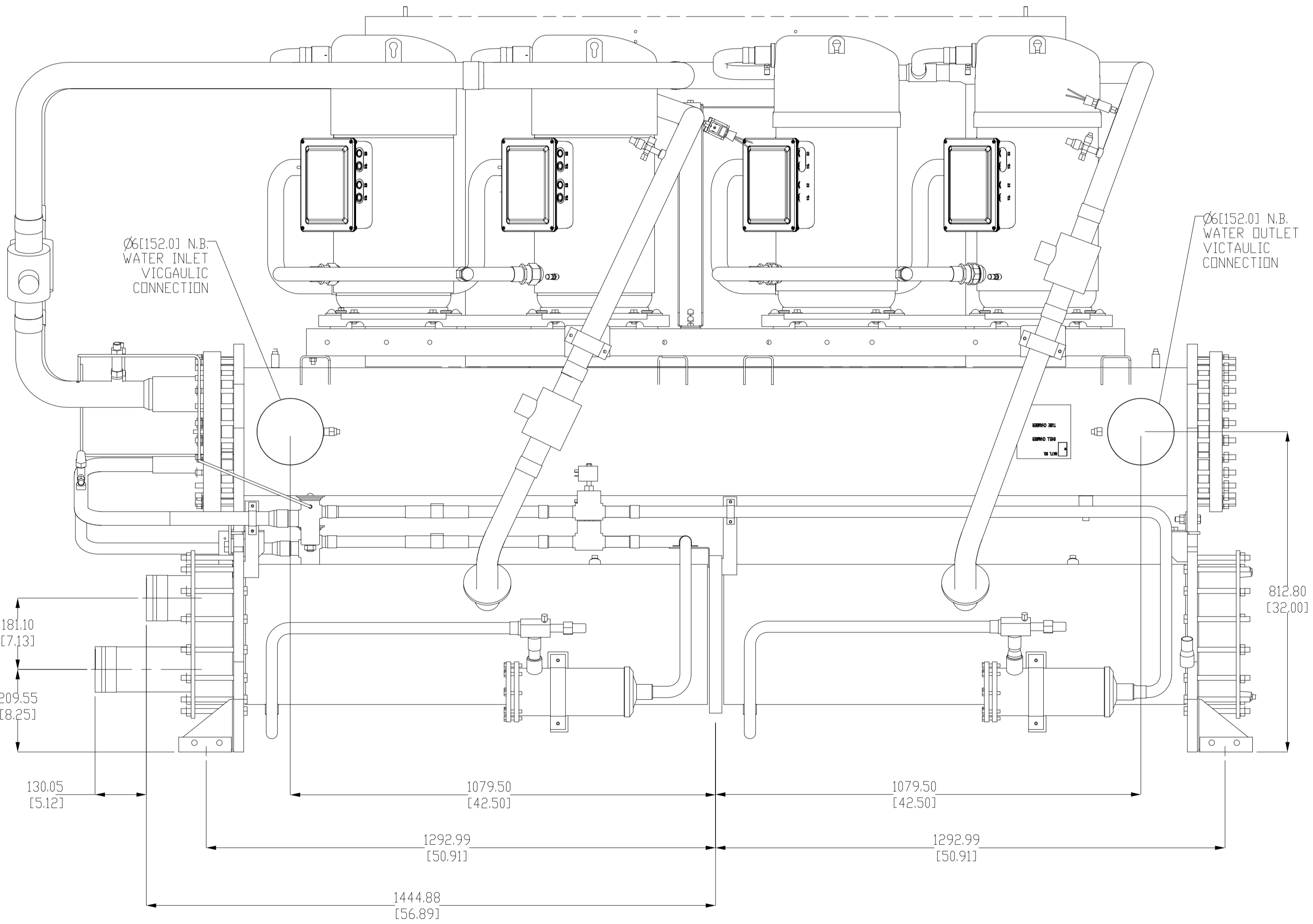
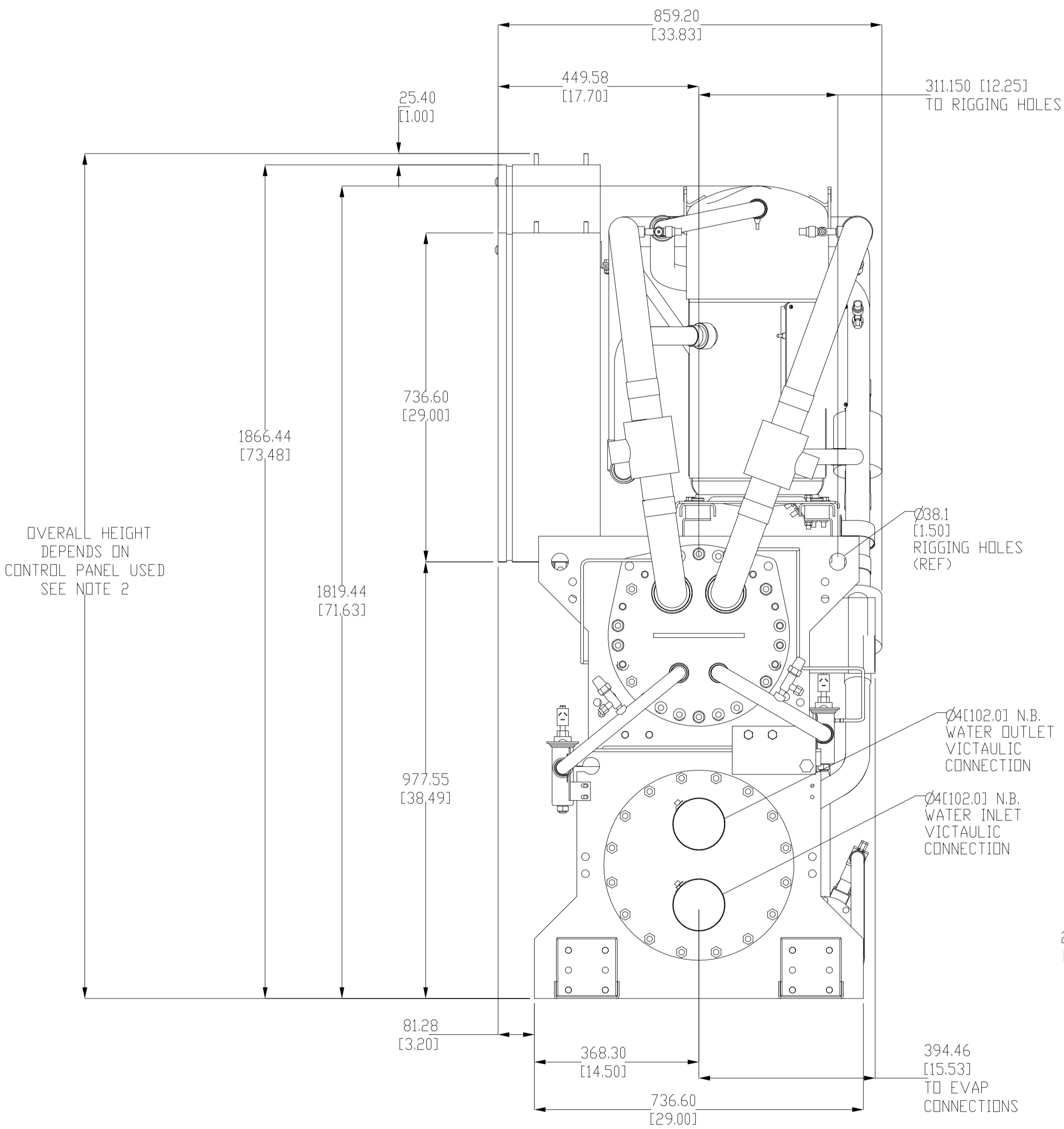
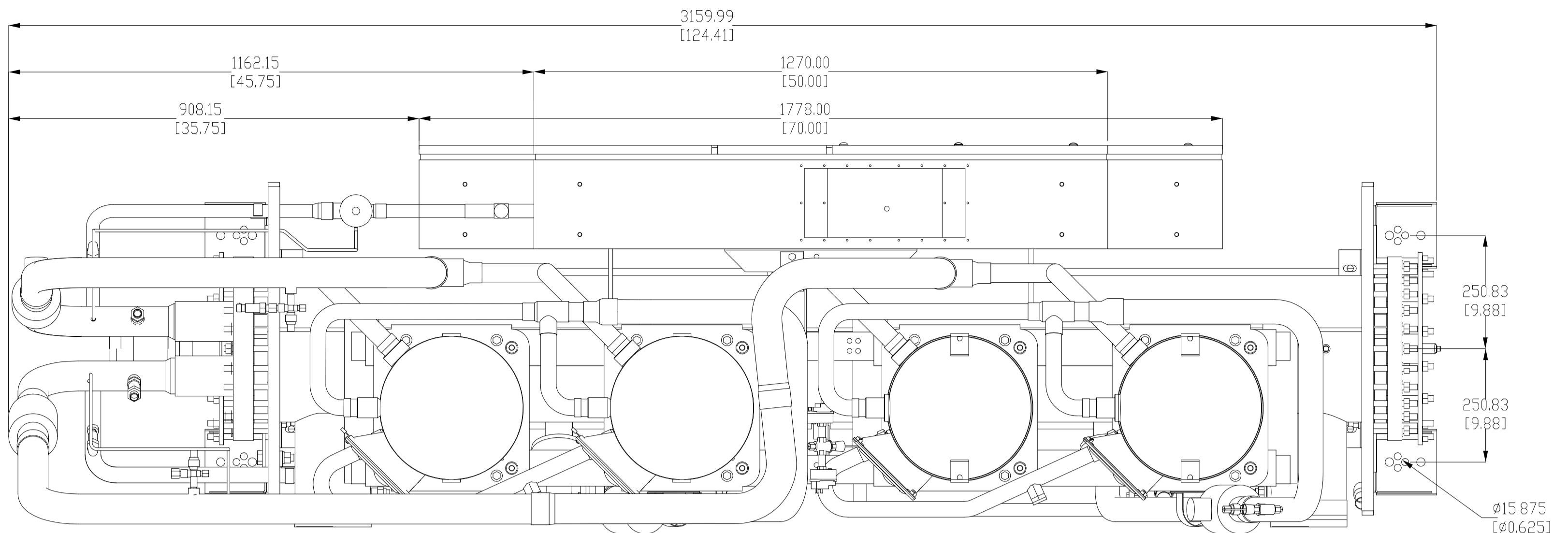


THIS DRAWING PERTAINS TO THE FOLLOWING MODELS:

QWC3115TSE

NOTE:
 1. PRIMARY DIMENSIONS ARE STANDARD METRIC MILLIMETERS AND SECONDARY DIMENSIONS IN BRACKETS ARE ENGLISH INCHES.
 2. OVERALL HEIGHT IS 1891.8 [74.48] ON 200V AND 230V MODELS



DRAWING TOLERANCES

TOLERANCES IN TABLE APPLY UNLESS OTHERWISE SPECIFIED IN DIMENSIONS ON THE DRAWING
XXXX [XXXXXX] ±.15mm [0.0091]
XXXXX [XXXXXXX] ±.25mm [0.0098]
XXXXXX [XXXXXXXX] ±.35mm [0.0141]
ANGLES ±1° 0'

NOTE:
 PRIMARY DIMENSIONS ARE 3RD STANDARD MILLIMETER IMPERIAL INCH DIMENSIONS ARE SHOWN IN BRACKETS.

THIRD ANGLE

QUANTECH

DO NOT SCALE

PRODUCT DRAWING QWC3115TSE BITZER COMPRESSOR		MATERIAL: N/A	
		ENG. STD: N/A	
DRAWN: I.G.GROW 05-JAN-2017		PART NO:	
MODELER: C.RAGER 18-JAN-2017		CUT SIZE: N/A	
ENG:		DRAWING NUMBER	
SCALE:		QWC3115TSE	
MASS (kg):		REVISION	
PLOT SIZE: A1		0	
CAGE NUMBER: 66935		VERSION	
ORIG. NO:		0	
SHEET: 1 OF 1		REVISION	
DRAWING NUMBER: QWC3115TSE		0	

REVISION	DATE	EC NUMBER	DRAWN BY	CHECKED BY	ENGINEERED BY

ALL PROPRIETARY RIGHTS IN THE SUBJECT MATTER HEREOF ARE RESERVED AND NO PERMISSION IS GRANTED TO REPRODUCE THIS PRINT IN WHOLE OR IN ANY PART, OR DISCLOSE ANY OF THE INFORMATION UPON IT TO OTHERS WITHOUT WRITTEN RELEASE BY JOHNSON CONTROLS INCORPORATED.